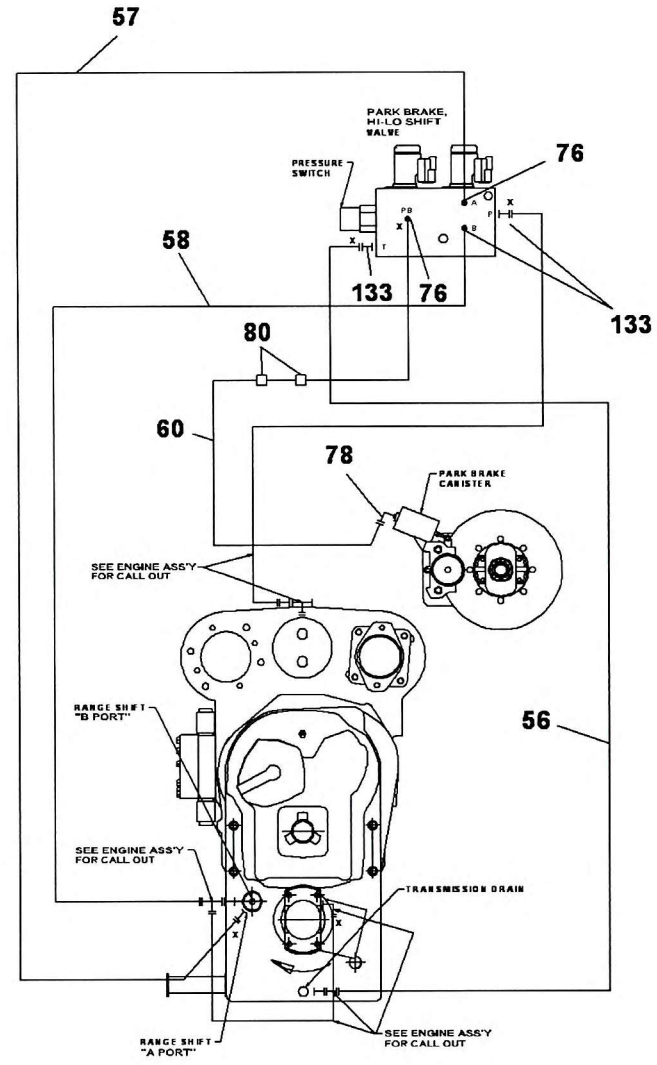
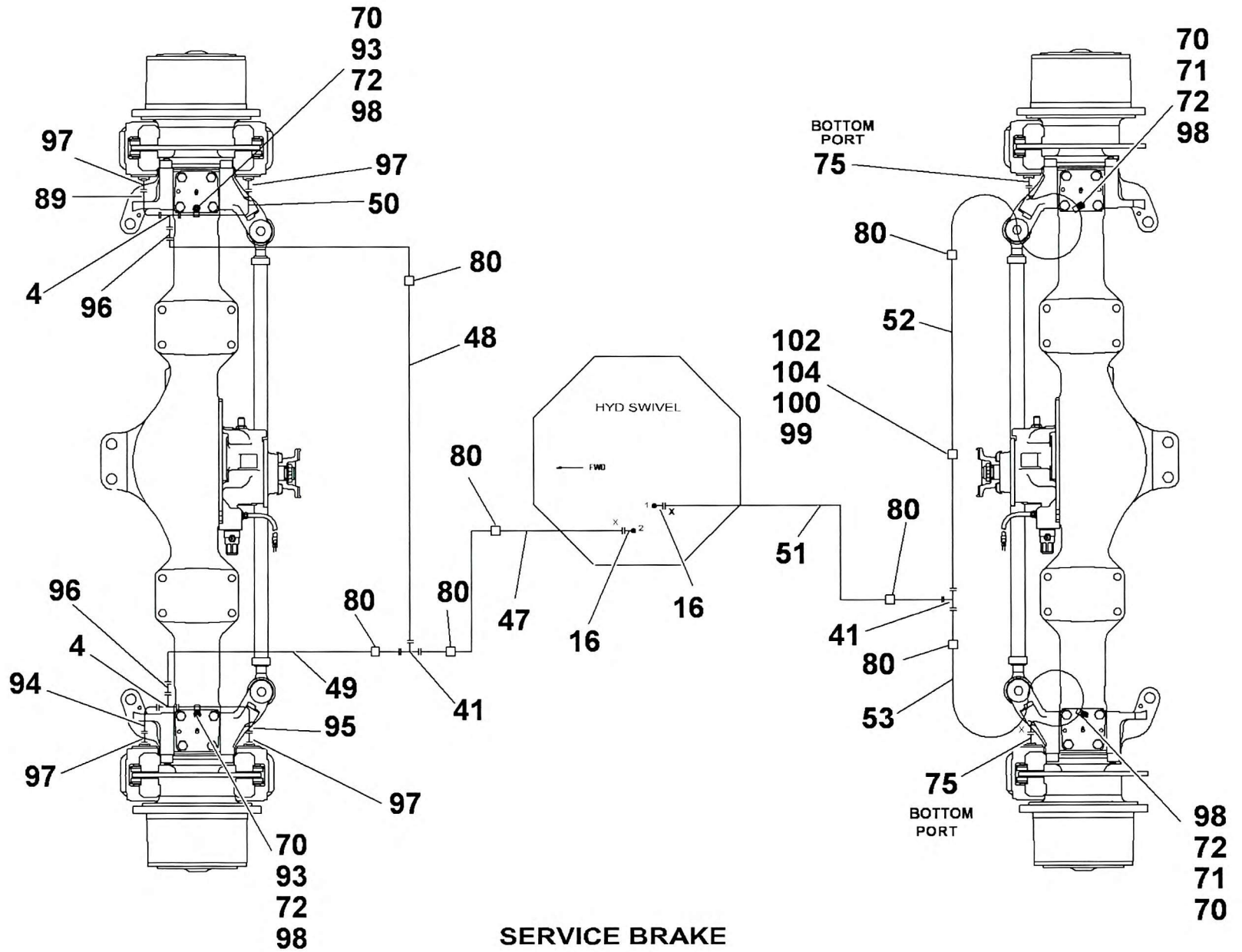


DIFFERENTIAL LOCK

OPTION



AXLE DISCONNECT  
AND PARK BRAKE



SERVICE BRAKE

